

RapidChange™

# Revo™ Micro

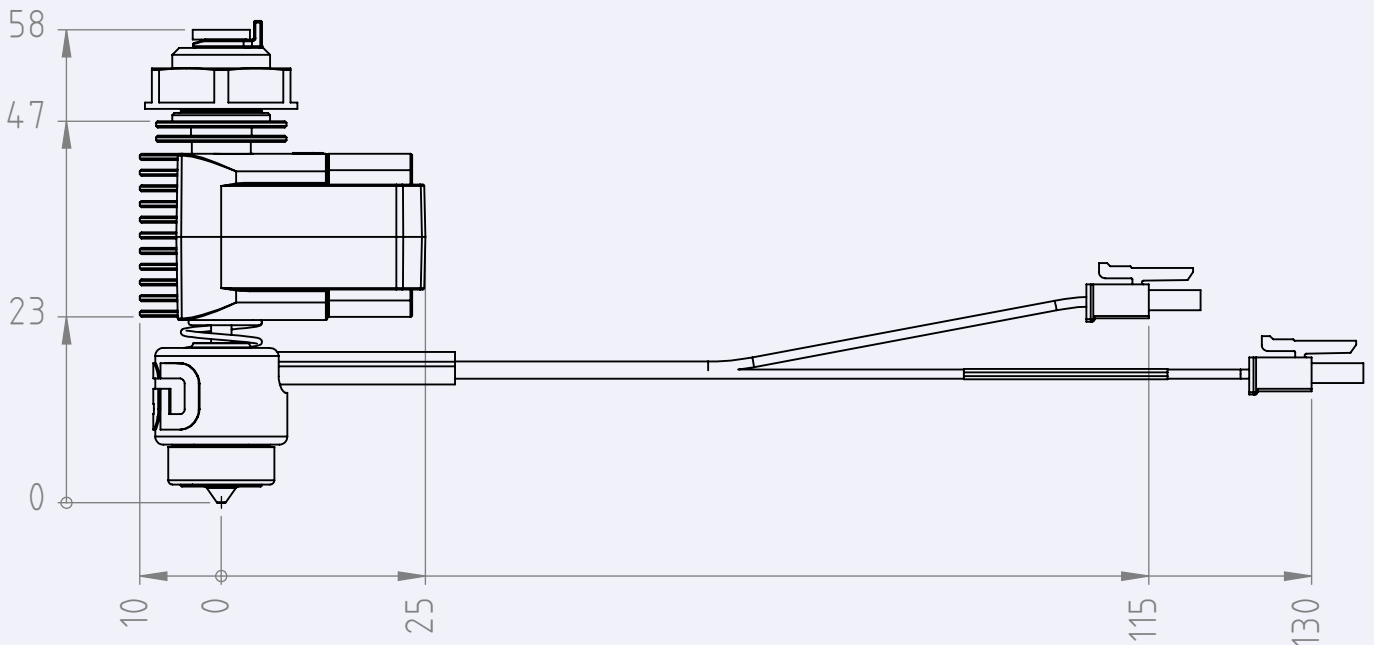
DATA SHEET



## SUMMARY

- Max printing temperature: 300°C
- Mass: ~30g
- Flow rate: 10mm<sup>3</sup>/sec (depending on filament)
- Temperature sensor type: thermistor, Semitec 104NT
- Voltage options: 12V or 24V
- Wattage: 40W
- Filament diameter: 1.75mm

## VOLUME AND DIMENSIONS

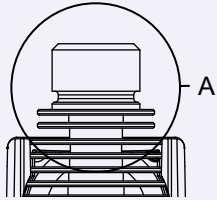


## MOUNTING GUIDANCE

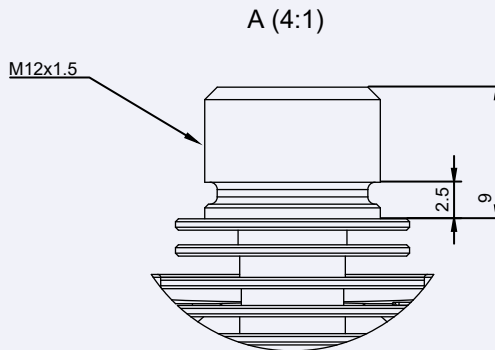
Mounting type: screw thread (M12x 1.5). Depth 5mm.

Minimum plate thickness: 1mm

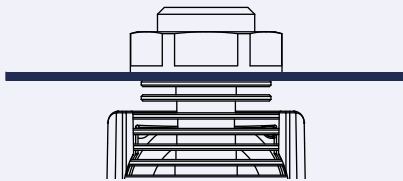
Maximum plate thickness: 5mm



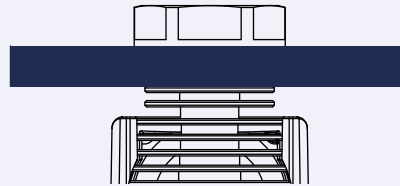
[Figure 2: Mounting interface location]



[Figure 3: Detail View of mounting interface]



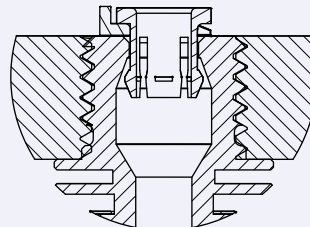
[Figure 4: 1mm plate through-hole mounting]



[Figure 5: 5mm plate through-hole mounting]



[Figure 6: 9mm threaded plate mounting]



[Figure 7: Cross section 9mm threaded plate mounting]

## CABLE ORIENTATION

Turn Revo HeaterCore anti-clockwise to orient cables. Turning clockwise will cause the spring to disengage.

## ASSEMBLY

There is no need to hot-tighten the Revo Micro assembly. Tools must not be used to fasten the Revo Nozzle to the HeaterCore.

## OPERATIONAL TEMPERATURES

Maximum recommended operating temperature (PLA): 40°C

Lowest temperature rated component: Fan 70°C

## ELECTRICAL SPECIFICATION

### Fan

- 5V
- Please use the supplied regulator board. Running directly from 12V or 24V will cause failure
- Fan current: 176mA
- Fan noise: 25.0dB(A)

### Heater

- 12V or 24V, 40W nominal power at ambient

### Temperature

- Temperature sensor: Semitc 104NT

## CONNECTIONS

Fan: Molex Micro-Fit 3.0, 2 pin vertical

Heater: Molex Micro-Fit 3.0, 2 pin horizontal

Temperature sensor: Molex Micro-Fit 3.0, 2 pin horizontal

Assembly is supplied with 1m cables to connect to mainboard

## MATERIALS

Heatsink: Aluminium (black anodised)

Nut: Nylon

HeaterCore: Alumina, Bronze

Fan shroud: Polycarbonate

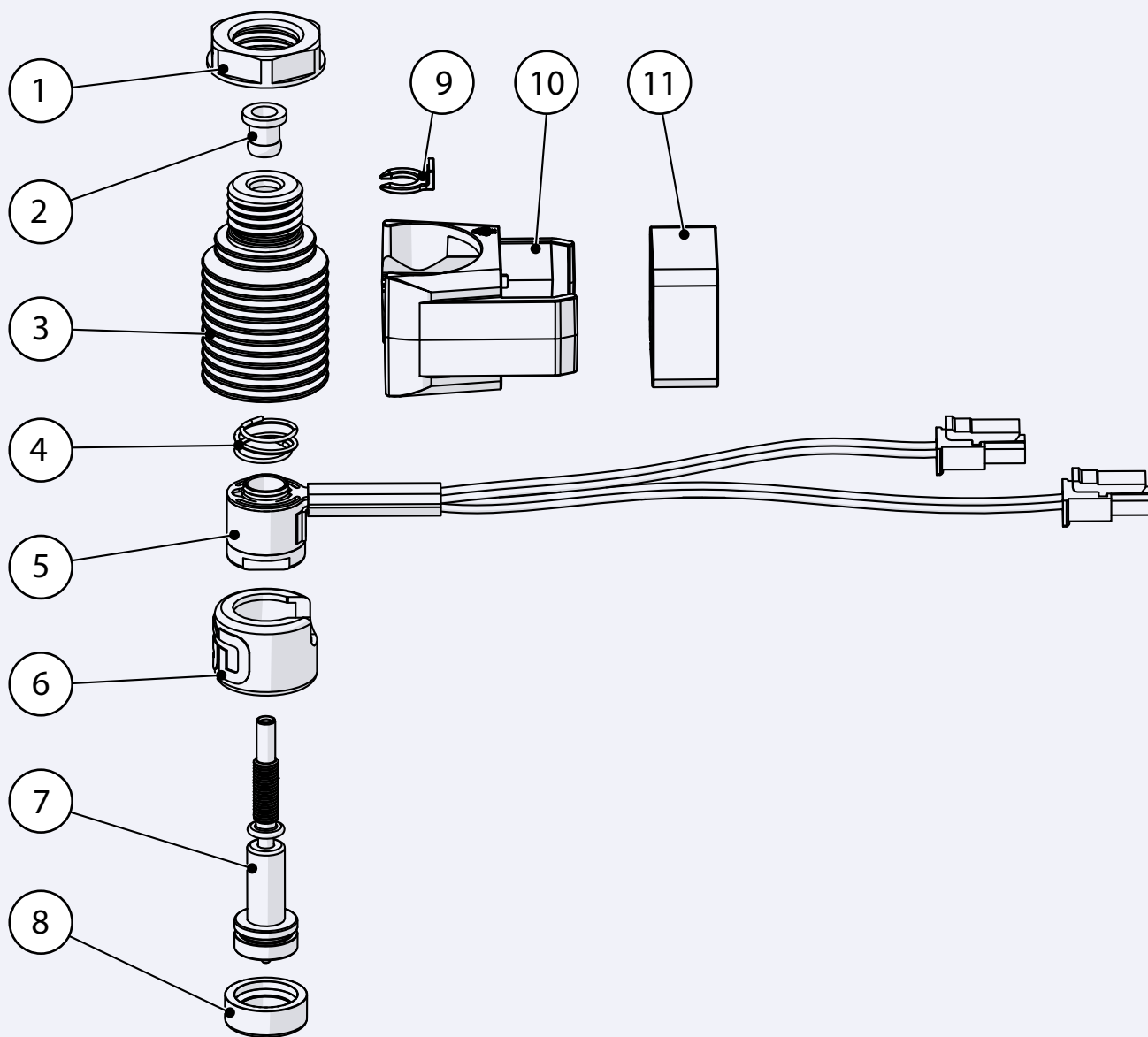
## COMPLIANCE

Reach

RoHS

WEEE

## EXPLODED VIEW



1. M12 X 1.5 nut
2. Collet
3. Revo Micro heatsink
4. Revo spring
5. Revo HeaterCore
6. Revo HeaterCore sock

7. Revo Nozzle
8. Revo Nozzle sock
9. Collet clip
10. Revo Micro fan duct
11. 20 x 20 x 10 5V fan

## CHANGELOG

Edition 1: Published 17/09/21

- Approved: RY 17/09/21

Edition 2: Published 12/10/21

- Approved: RY 13/09/21
- Notes: Revo Thread renamed Revo Micro

Edition 3: Published 07/12/21

- Approved: DR 07/12/21
- Notes: Flow rate units changed to 10mm<sup>3</sup>/sec

